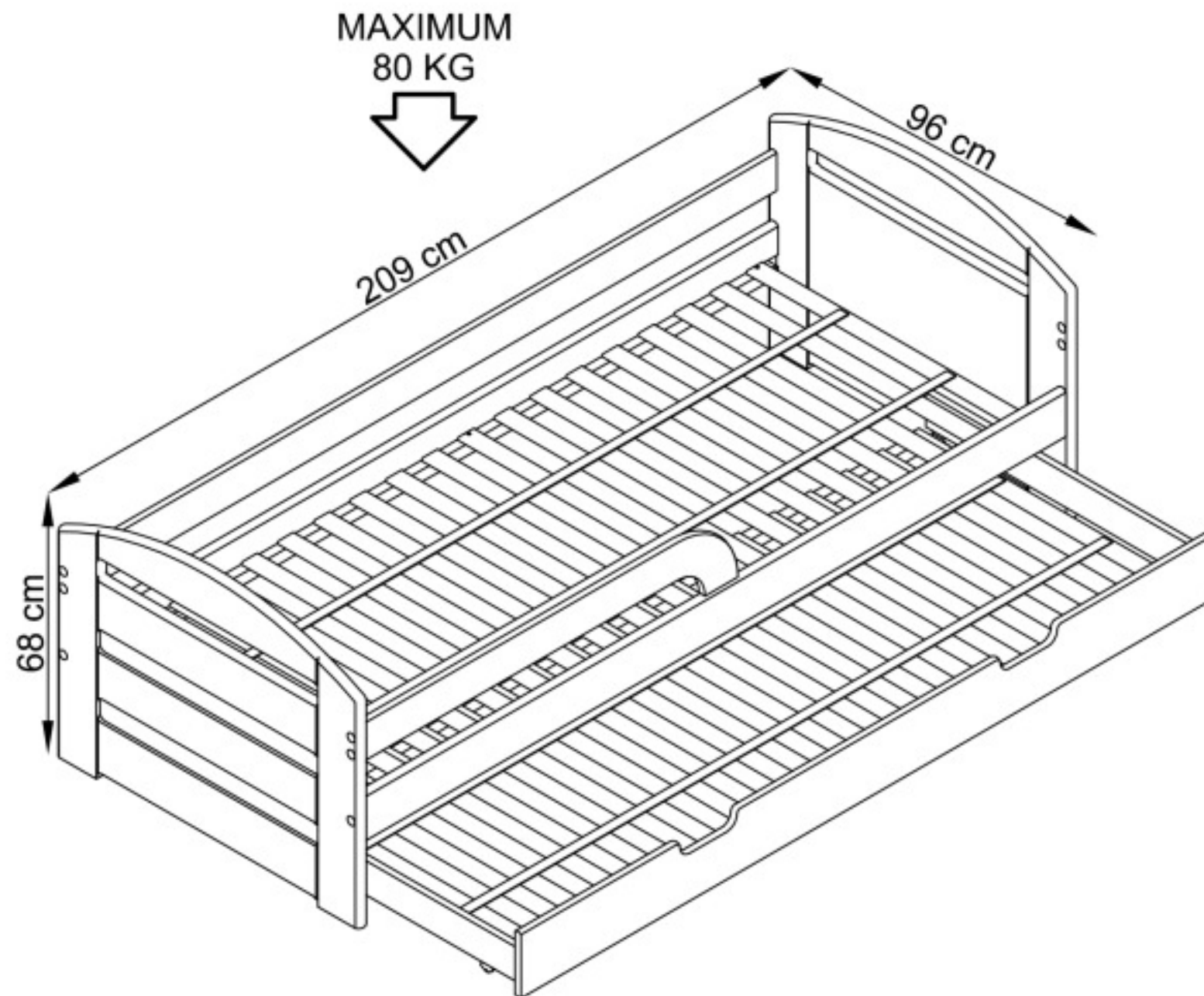





















NATALIE



| | | |
|----|--|----|
| A |  | 2 |
| B |  | 1 |
| C |  | 1 |
| D |  | 1 |
| E |  | 1 |
| F |  25 mm | 1 |
| F1 |  25 mm | 1 |
| G |  | 2 |
| H |  | 2 |
| I |  Ø4,6x70 mm | 10 |
| J |  Ø13 mm | 14 |
| K |  | 5 |
| L |  | 5 |
| M |  Ø18 mm | 5 |
| N |  | 4 |
| O |  Ø3,5x16 mm | 8 |
| P |  Ø3,5x30 mm | 12 |
| R |  Ø8x30 mm | 16 |
| S |  | 1 |

NATALIE

